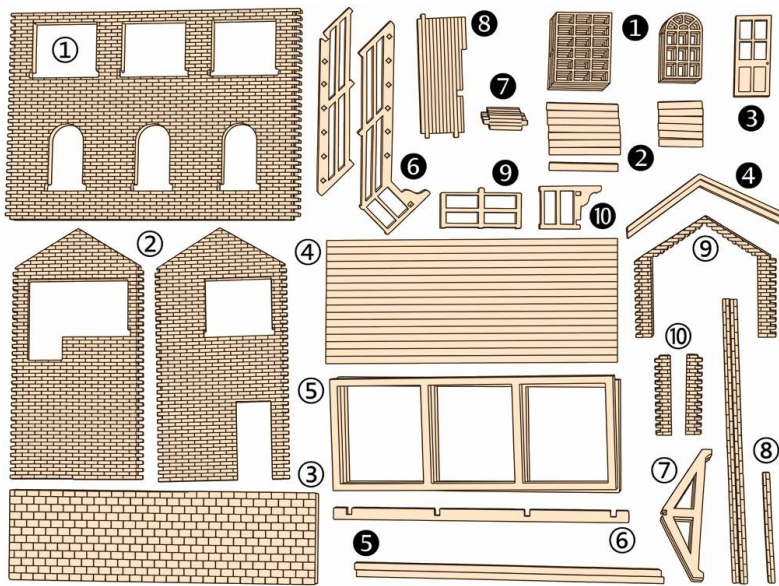
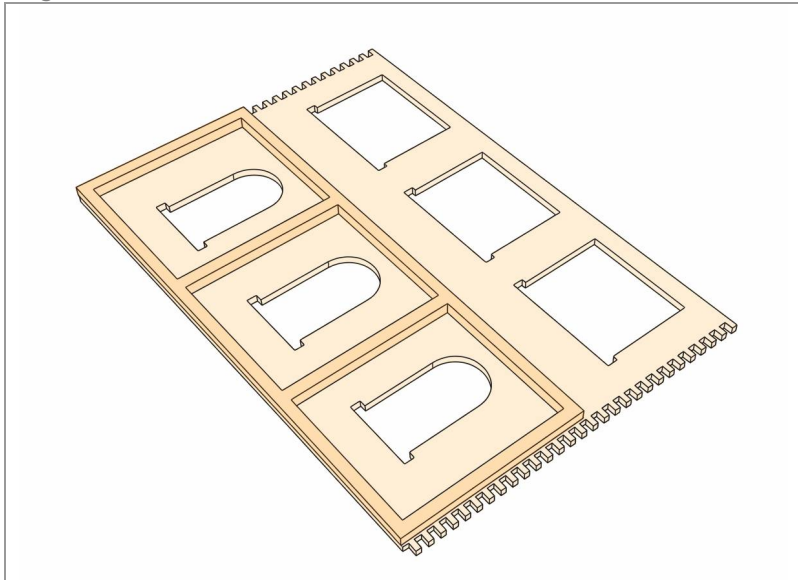


Assembly instructions for the Heritage Signal Box



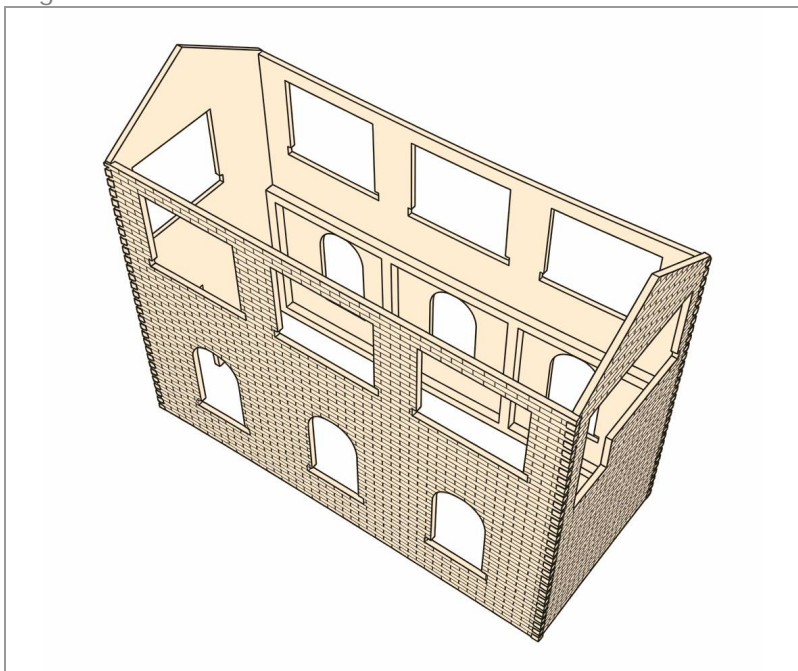
- ① Side walls (2)
- ② End walls (2)
- ③ Roof (2)
- ④ Floor
- ⑤ Floor support (2)
- ⑥ Roof beam
- ⑦ Roof rafters (4)
- ⑧ Side corbels (3)
- ⑨ Eaves corbels (2)
- ⑩ Corner corbels (4)
- ① Windows (14)
- ② Window Sills (14)
- ③ Doors (2)
- ④ Gable ends (2)
- ⑤ Fascia boards (2)
- ⑥ Stringer/handrail (2)
- ⑦ Treads (6)
- ⑧ Platform
- ⑨ Side handrail
- ⑩ End handrail

Figure 1



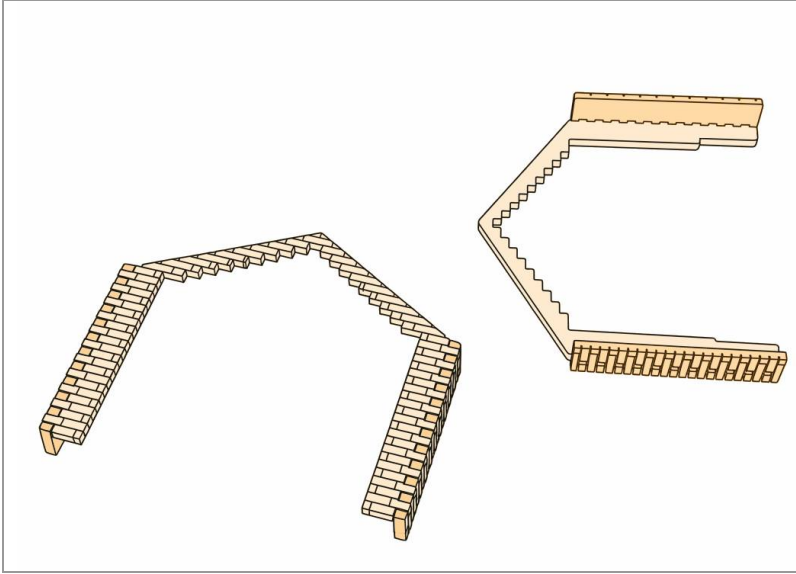
Attach the floor supports ⑤ to the inner face of each side wall ① making sure they are level with the bottom edge (see illustration).

Figure 2



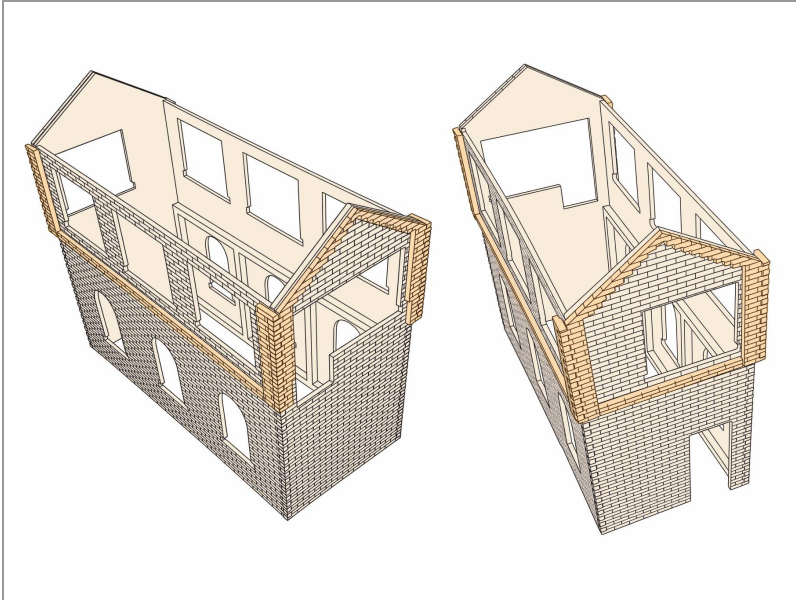
Attach the side walls ① to the end walls ②, then wipe away any excess glue from the outside of the joints. If required, place the floor piece ④ without glue to help keep the structure square.

Figure 3



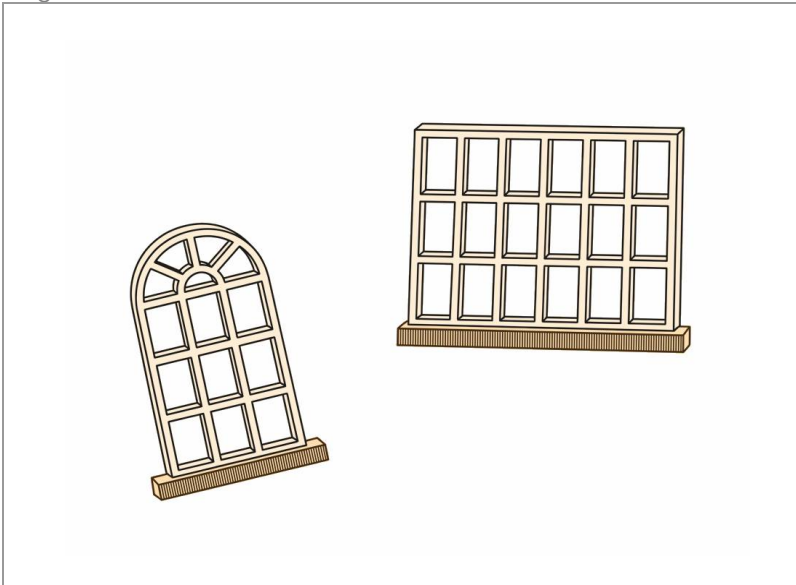
Attach two corner corbels ⑩ to each eaves corbel ⑨ (see illustration).

Figure 4



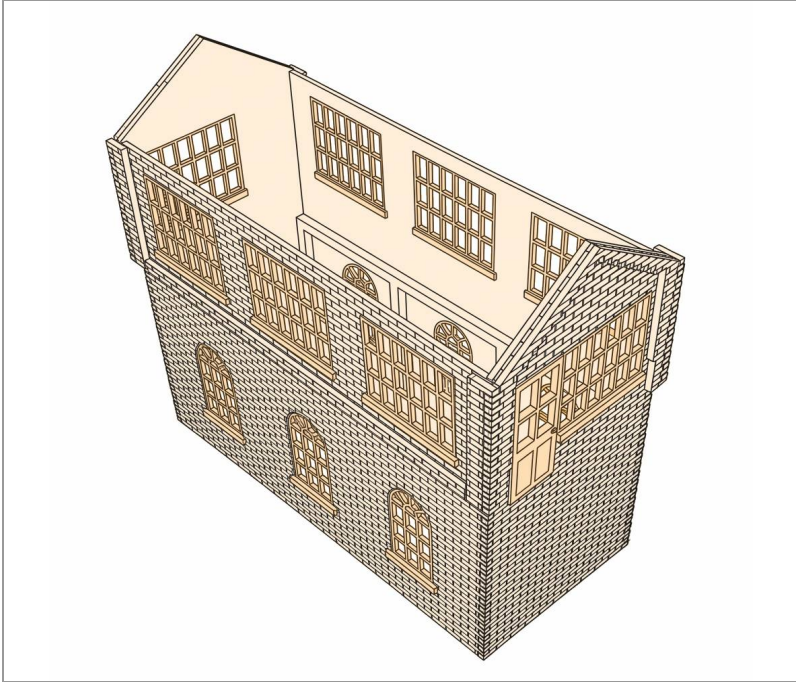
Attach the assembled corbels (Figure 3) to the end walls ②. One part has cut-outs to accommodate the platform, ensure this is installed on the end wall that has the door opening. Attach the side corbels ⑧ to the side walls ① and to the end wall ② that doesn't have the door opening (see illustration).

Figure 5



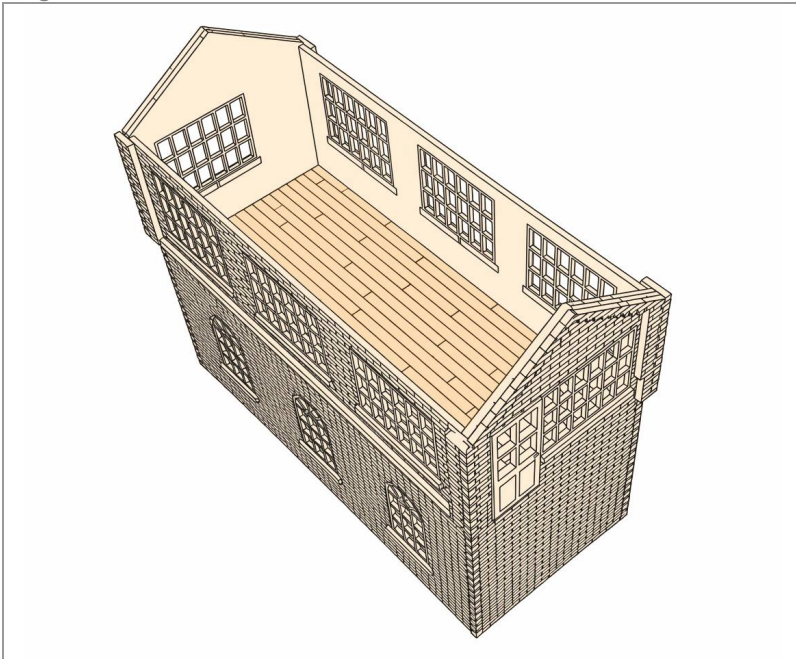
Attach the window sills ② to the windows ①. This would also be a good stage to cut and fix the clear PVC sheeting to the inside of the window frames and doors ③.

Figure 6



Attach the windows (Figure 5) and doors ③ to the building.

Figure 7



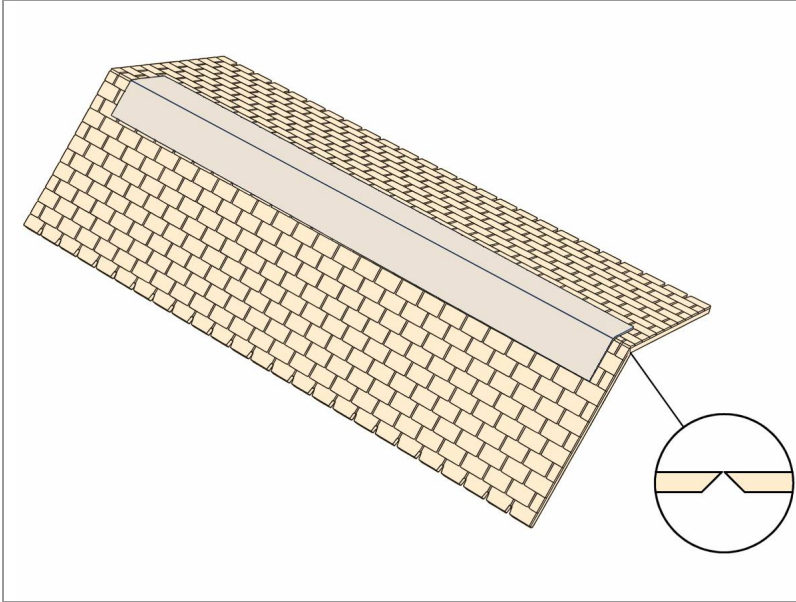
Attach the floor ④ to the floor supports ⑤ on the building.

Figure 8



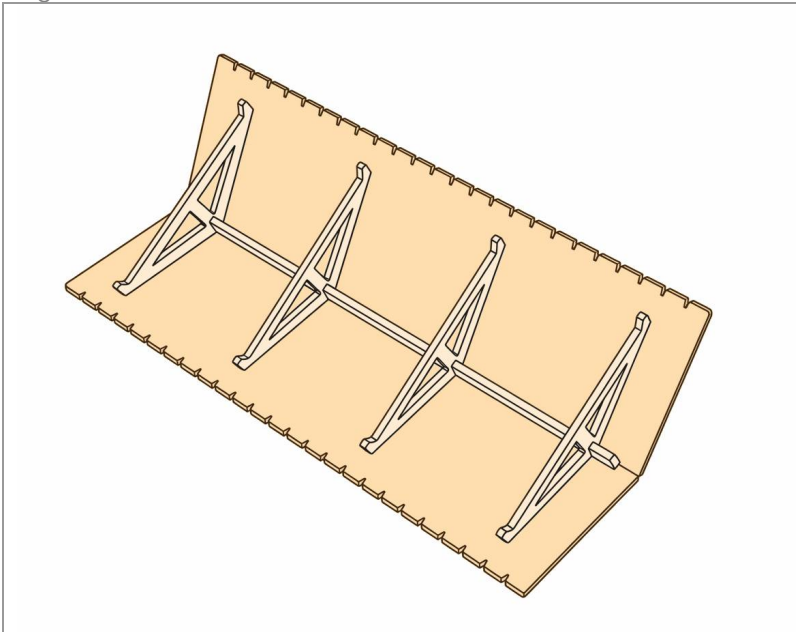
Attach the roof rafters ⑦ to the roof beam ⑥ ensuring they are evenly aligned.

Figure 9



Sand the inner top edges of each roof part ③ to a 60° angle. Align the parts with the engraved side facing up, then apply masking tape evenly over the two parts (see illustration).

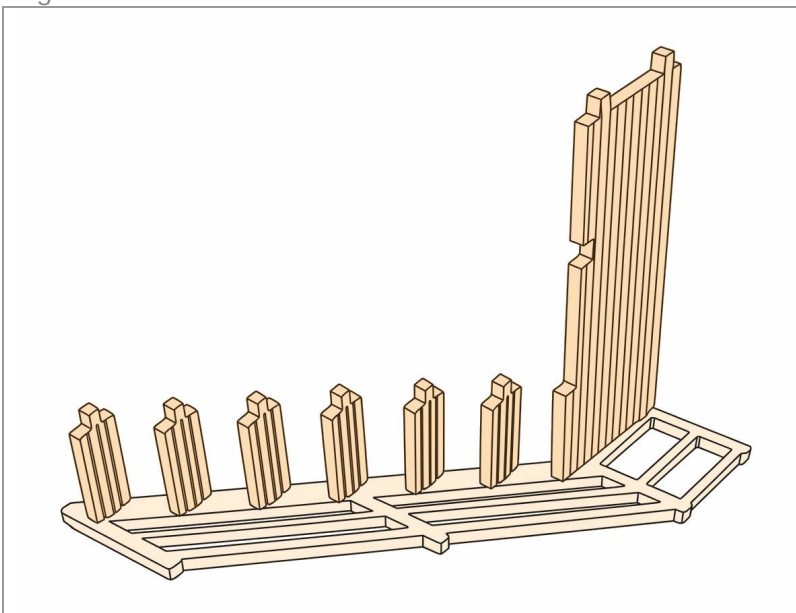
Figure 10



Apply glue where the two parts meet and gently bend the parts to the required angle. Use the assembled roof rafters (Figure 8) as a guide to maintain the correct angle until the glue has fully set.

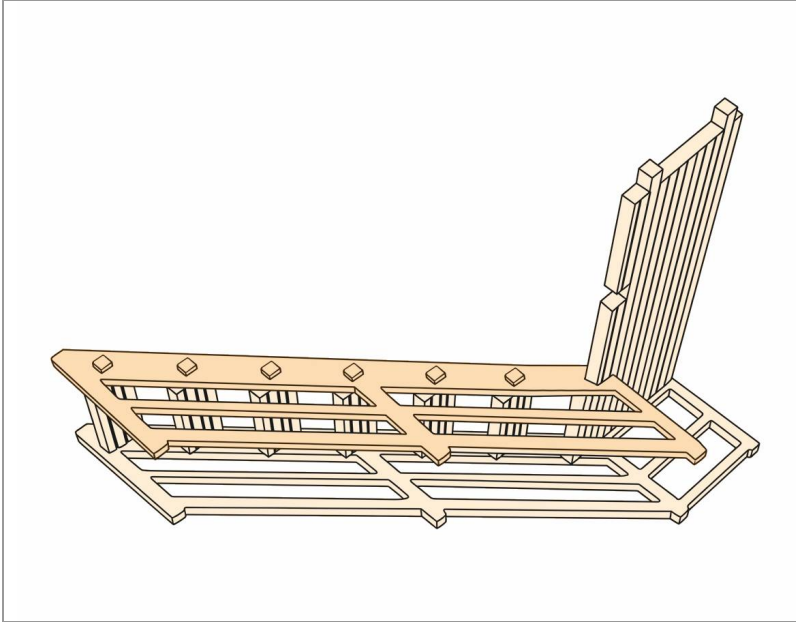
Attach the assembled roof rafters (Figure 8) in position, ensuring there is an even gap at both ends (see illustration).

Figure 11



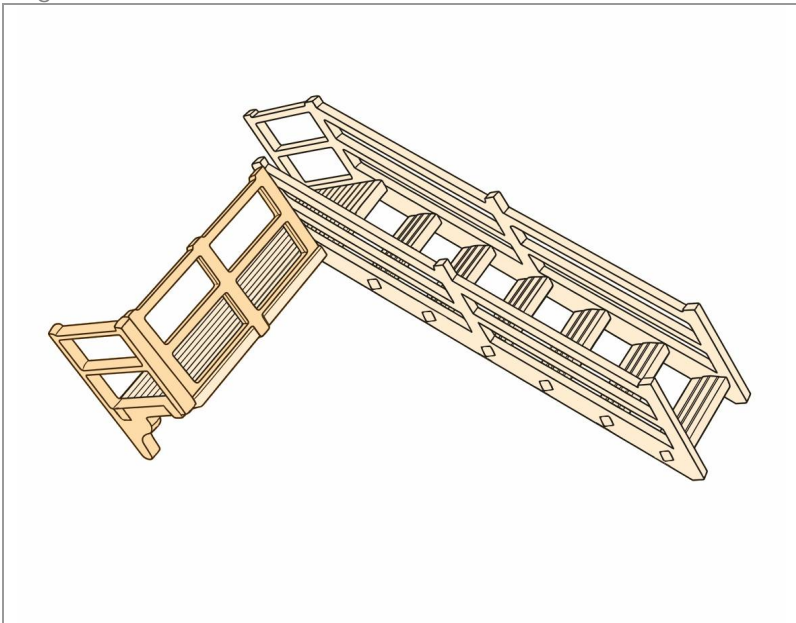
Attach the treads ⑦ and the platform ⑧ to the stringer/handrail ⑥ (see illustration).

Figure 12



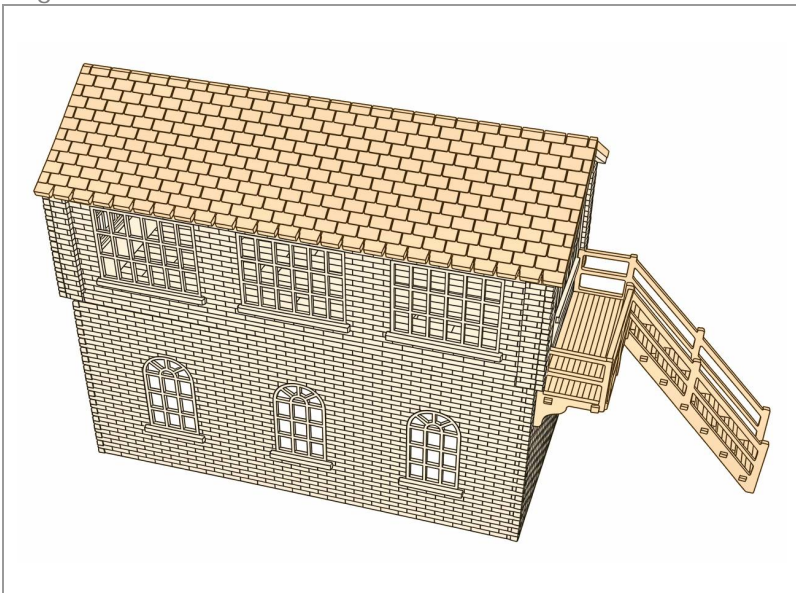
Attach the second stringer/handrail ⑥ to the assembled platform/steps (Figure 11).

Figure 13



Attach side handrail ⑨ and end handrail ⑩ to the assembled platform/steps (Figure 12).

Figure 14



Attach the roof (Figure 10) and the platform/steps (Figure 13) to complete the building.